

Morten Wooden Gazebo - Specification Sheet

BUILDING CODE	MORTEN	WALL LOG (mm): 28
		SIZE (mm): 3500x5000

COMPONENT SPECIFICATION

NUMBER	COMPONENT FUNCTION	COMPONENT CODE	VIEW	SIDE VIEW	DIMENSIONS (mm)			QUANTITY (psc.)
					LENGHT	WIDTH	THICKNESS	
1	Wall board	A1			2400	115	28	4
2	Wall board	A2			328	115	28	13
3	Wall board	A3, B1, E1			3500	115	28	37
4	Wall board	A4, B2			3500	115	28	2
5	Wall board	C2			5000	115	28	17
6	Wall board	C3, D6			5000	115	28	2
7	Wall board	D2			2400	115	28	3
8	Wall board	D3			280	115	28	16
9	Wall board	D4			469	115	28	13
10	Wall board	D5			5000	115	28	1
11	Wall board	E2			3500	115	28	1
12	Wall board							
13	Wall board	C1			5000	60	28	1
14	Wall board	D1			3900	60	28	1
15	Roof board					19	8	
16	Roof board			1500	110	19	40	
17	Door			1200	1880		1	
18	Roof cover fixture			2700	100	16	4	
19	Roof cover fixture			1900	100	16	4	
20	Column/support			1585	100	60	2	
21	Column/support			2005	100	60	2	
22	Sill/support			1980	110	26	1	
23	Sill/support			1804	110	26	1	
24	Beam			2737	60	40	4	
25	Beam			2113	60	40	2	
26	Beam			2072	60	40	6	
27	Beam			1171	60	40	8	
28	Beam			1465	120	40	1	
29	Octagon						2	

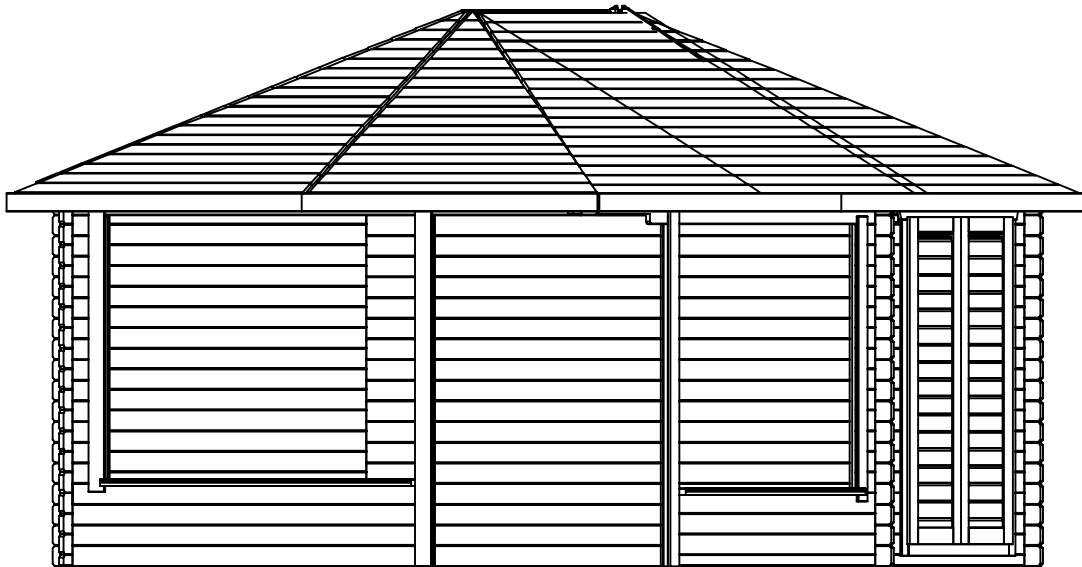
PACKAGE NR.:	MNFCT. ORDER NR.:	PAGE/PAGES: 1/8
CONTROL 1 SIGNATURE	CONTROL 2 SIGNATURE	

BUILDING CODE **MORTEN**

WALL LOG (mm): 28

SIZE (mm): 3500x5000

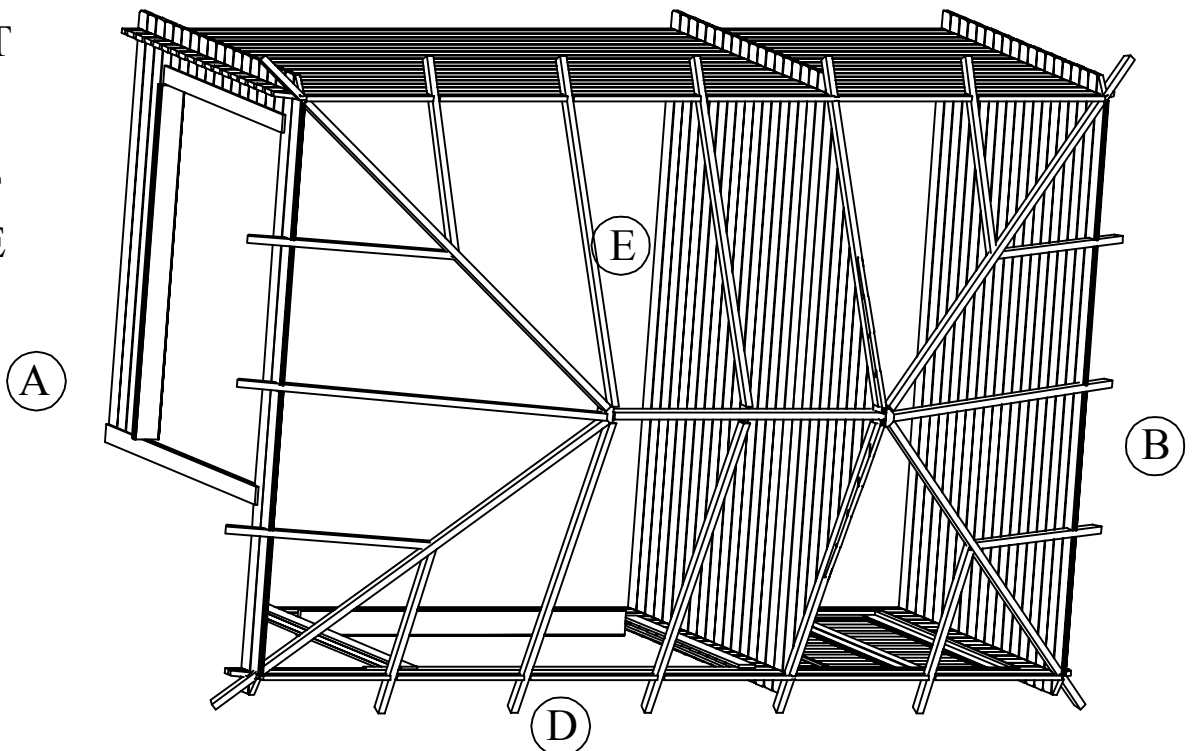
ISOMETRIC VIEW



TOP VIEW

(C)

A-FRONT
B-BACK
C-LEFT
D-RIGHT
E-INSIDE



PACKAGE NR.:

MNFCT. ORDER NR.:

CONTROL 1

CONTROL 2

PAGE/PAGES:

2/8

SIGNATURE

SIGNATURE

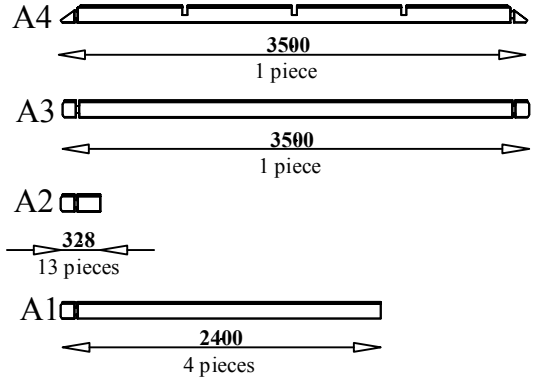
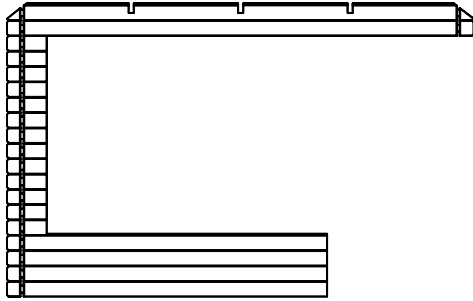
BUILDING CODE **MORTEN**

WALL LOG (mm): 28

SIZE (mm): 3500x5000

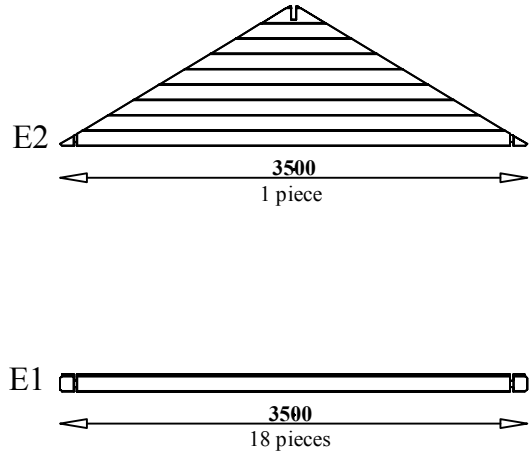
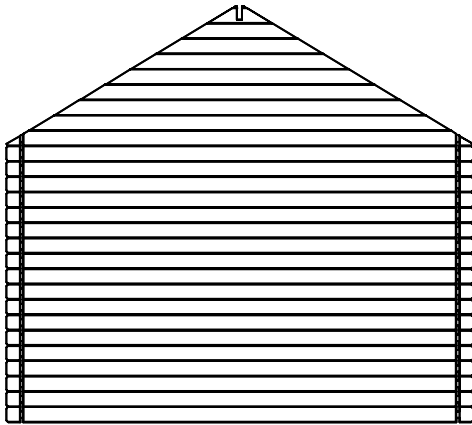
FRONT VIEW

(A)



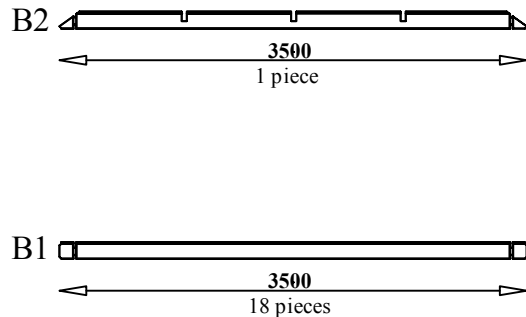
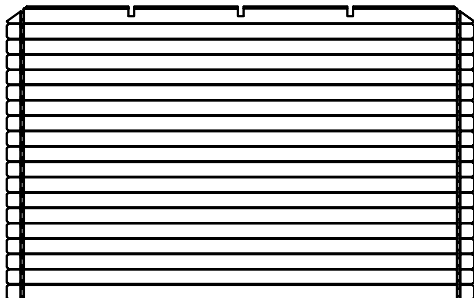
INSIDE VIEW

(E)



BACK VIEW

(B)



PACKAGE NR.:

MNFCT. ORDER NR.:

CONTROL 1

CONTROL 2

SIGNATURE

SIGNATURE

PAGE/PAGES: **3/8**

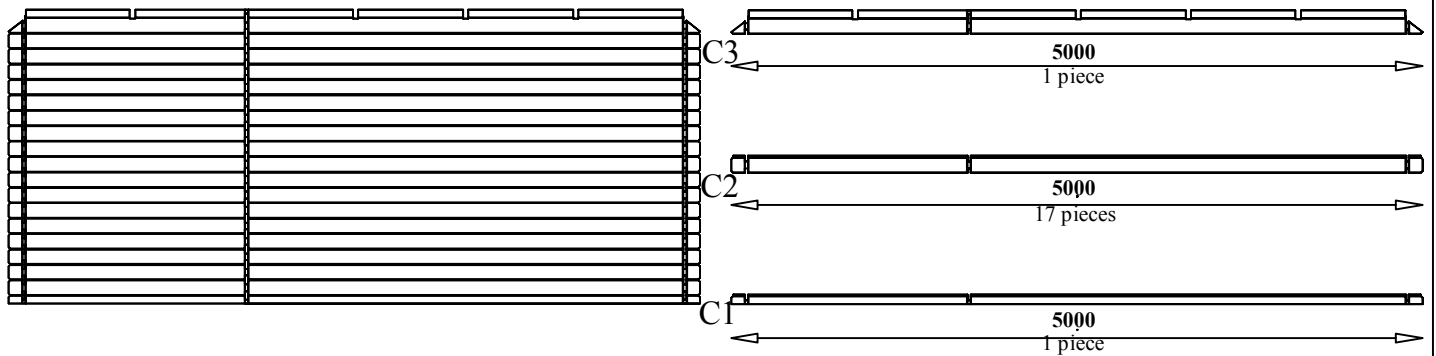
BUILDING CODE **MORTEN**

WALL LOG (mm): 28

SIZE (mm): 3500x5000

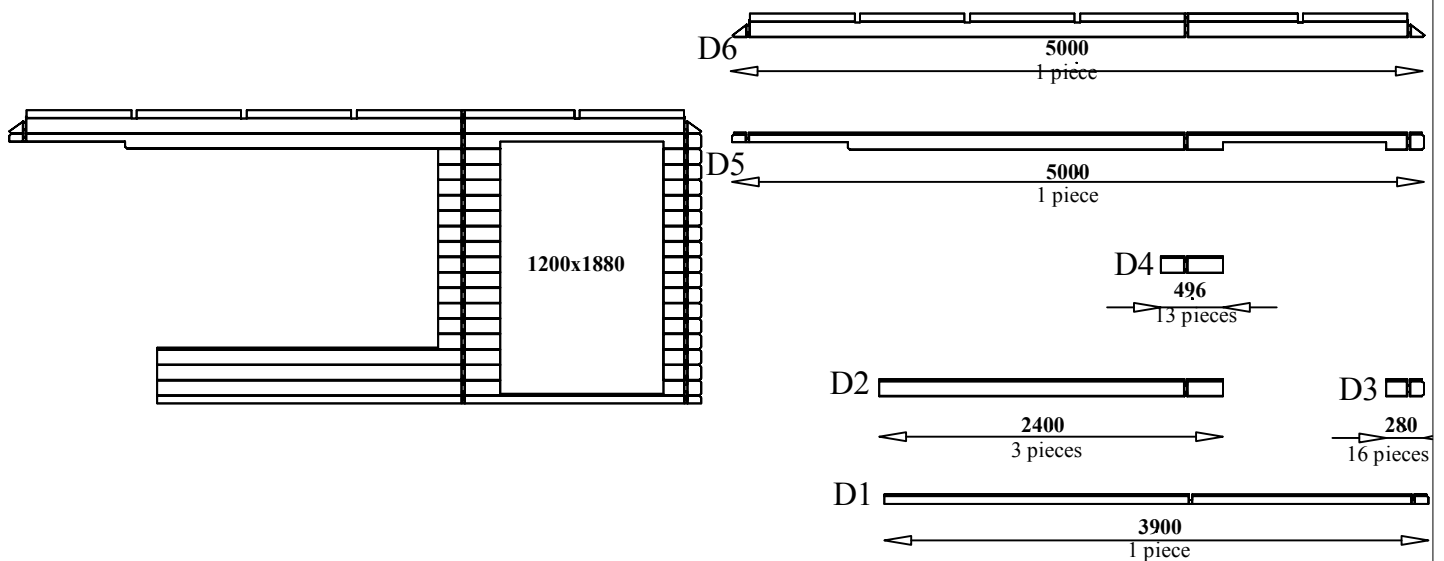
RIGHT VIEW

©



LEFT VIEW

©



PACKAGE NR.:

MNFCT. ORDER NR.:

CONTROL 1

CONTROL 2

SIGNATURE

SIGNATURE

PAGE/PAGES:

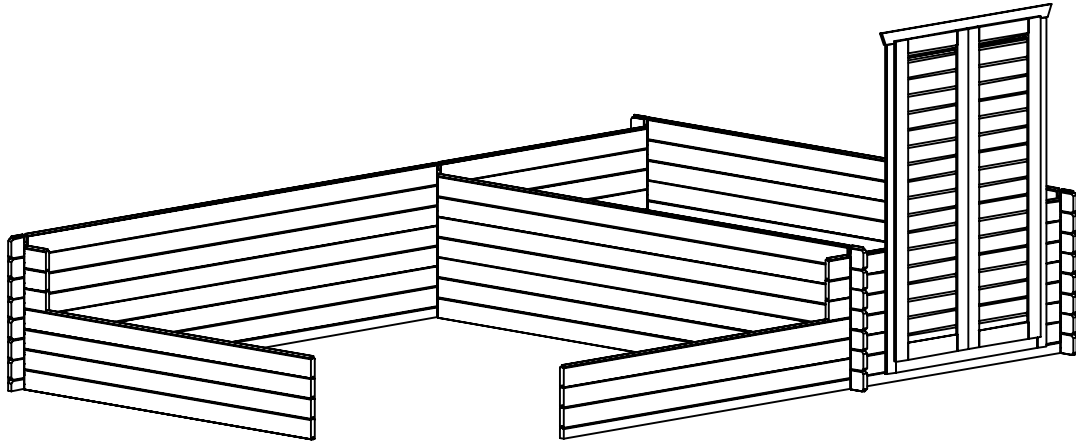
4/8

BUILDING CODE **MORTEN**

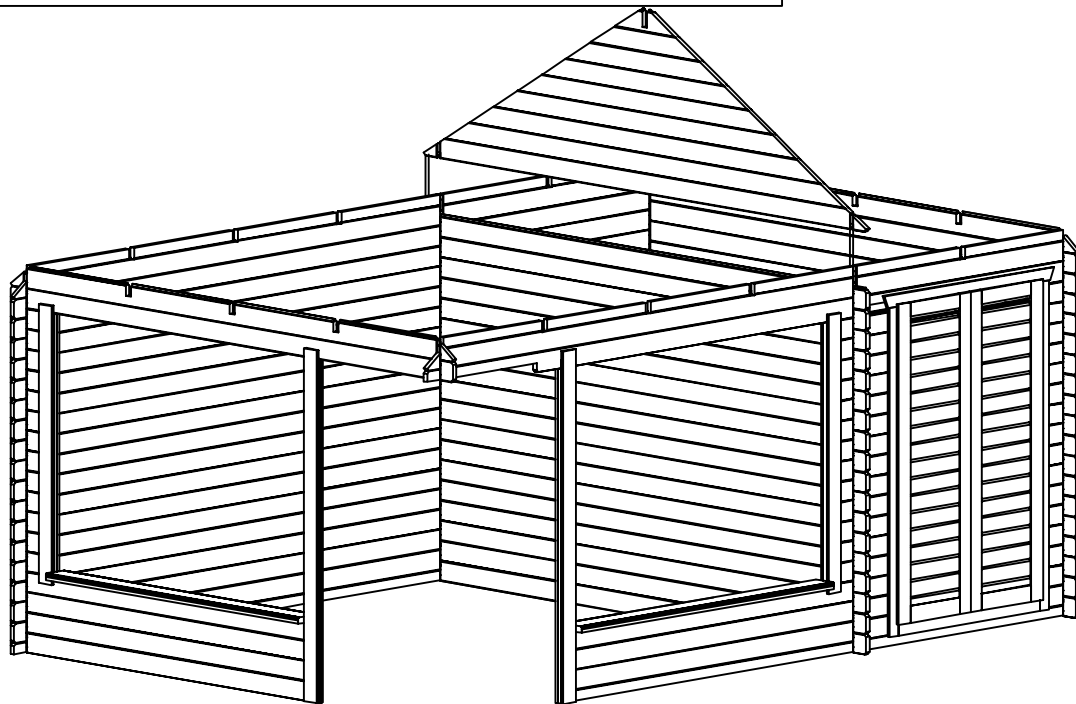
WALL LOG (mm): 28

SIZE (mm): 3500x5000

CONSTRUCCION 1



CONSTRUCCION 2



PACKAGE NR.:

MNFCT. ORDER NR.:

CONTROL 1

CONTROL 2

PAGE/PAGES:

5/8

SIGNATURE

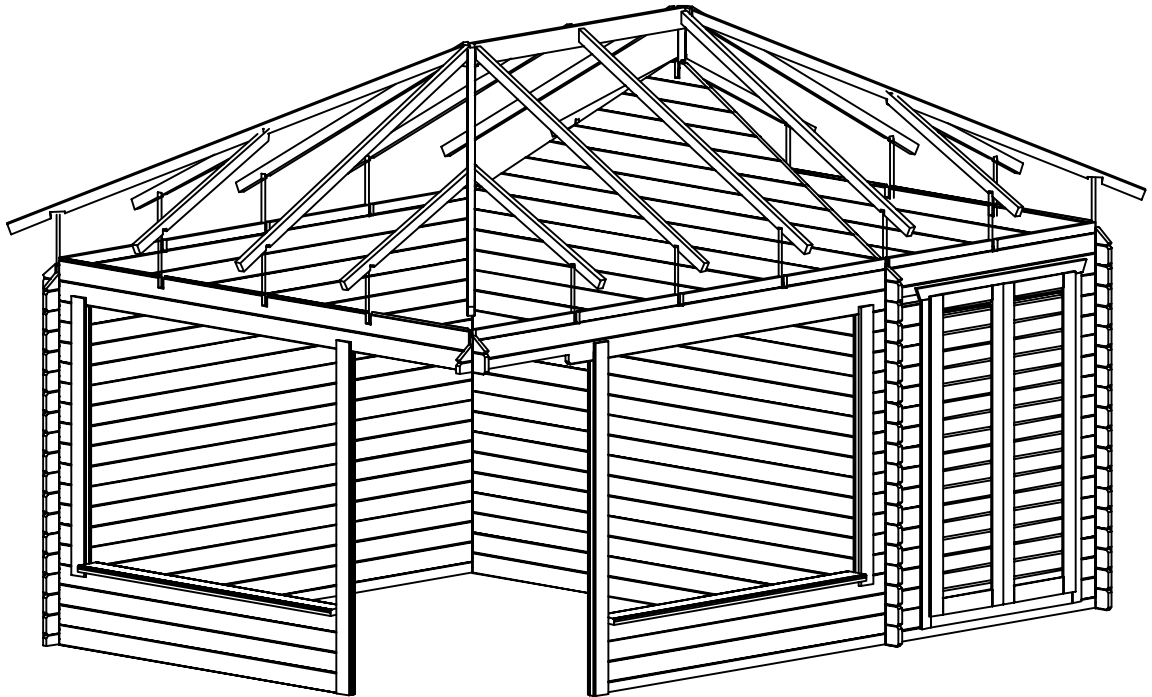
SIGNATURE

BUILDING CODE **MORTEN**

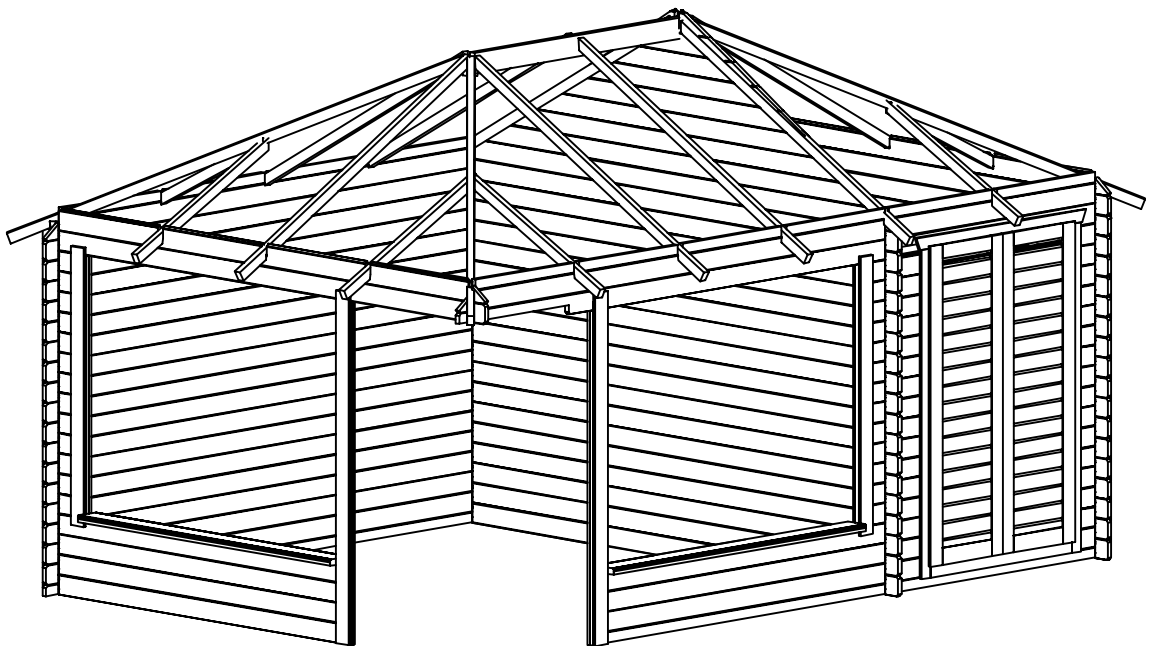
WALL LOG (mm): 28

SIZE (mm): 3500x5000

CONSTRUCCION 3



CONSTRUCCION 4



PACKAGE NR.:

MNFCT. ORDER NR.:

CONTROL 1

CONTROL 2

PAGE/PAGES:

6/8

SIGNATURE

SIGNATURE

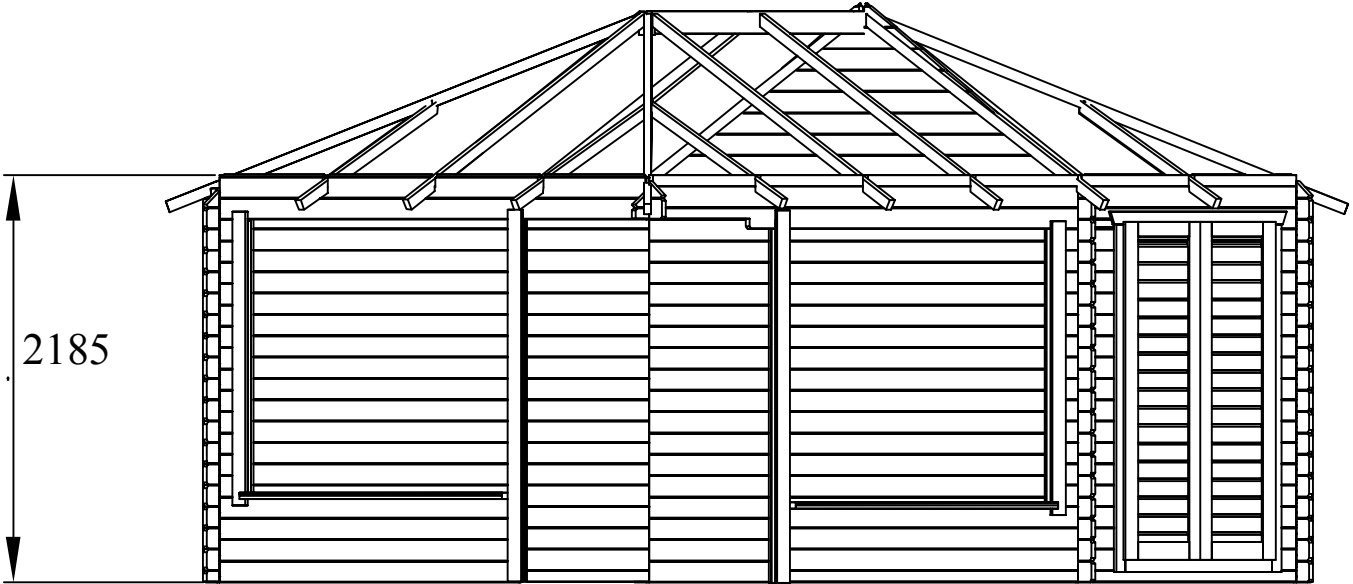
BUILDING CODE

MORTEN

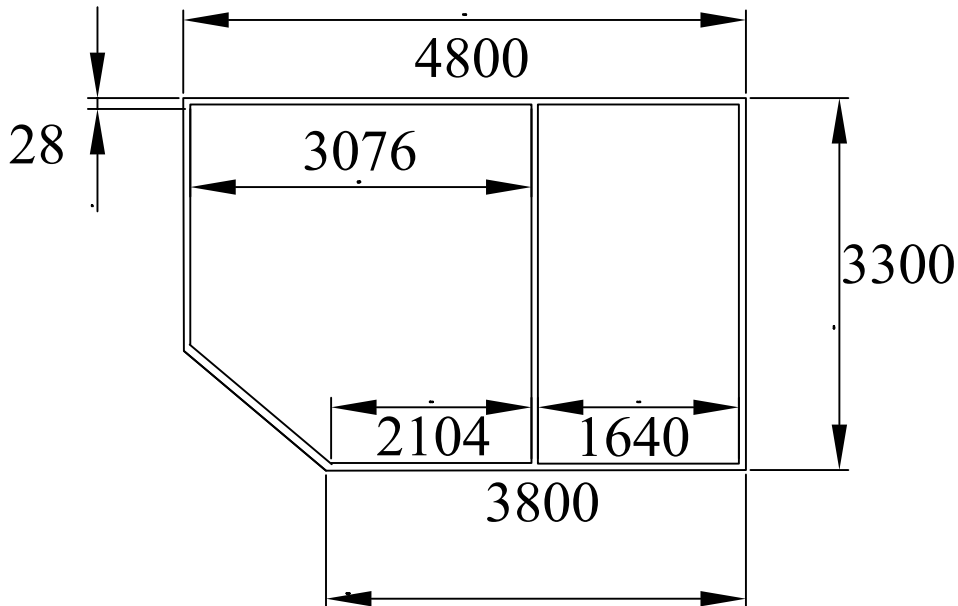
WALL LOG (mm): 28

SIZE (mm): 3500x5000

HEIGHT VIEW



PEDESTAL VIEW



PACKAGE NR.:

MNFCT. ORDER NR.:

CONTROL 1

CONTROL 2

PAGE/PAGES:

7/8

SIGNATURE

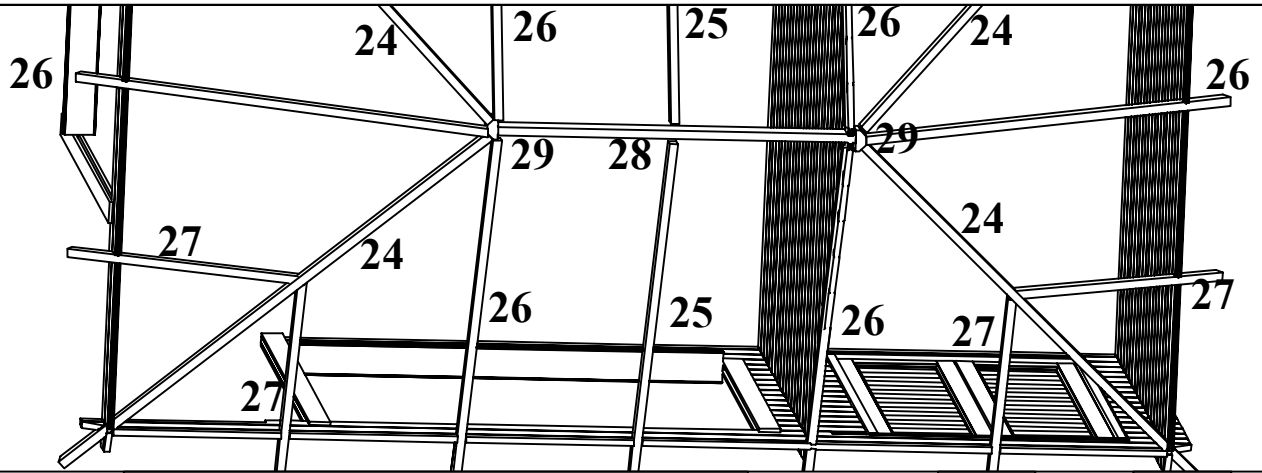
SIGNATURE

BUILDING CODE **MORTEN**

WALL LOG (mm): 28

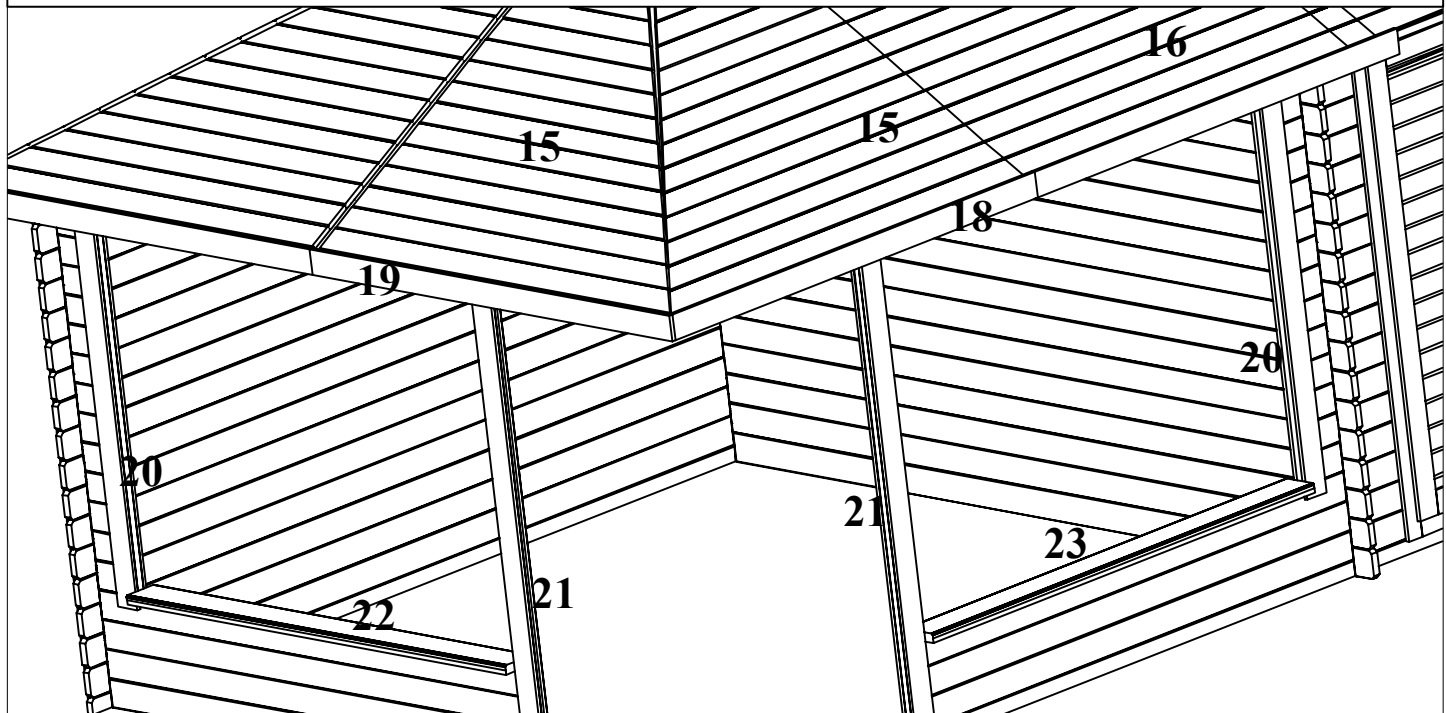
SIZE (mm): 3500x5000

ISOMETRIC BEAMS CONSTRUCTION



24	Beam			2737	60	40	4
25	Beam			2113	60	40	2
26	Beam			2072	60	40	6
27	Beam			1171	60	40	8
28	Beam			1465	120	40	1
29	Beam						2

ISOMETRIC ROOF'S CONSTRUCTION



15	Roof board				110	19	8
16	Roof board				110	19	40
18	Roof cover fixture			2700	100	16	4
19	Roof cover fixture			1900	100	16	4
20	Column/support			1585	100	60	2
21	Column/support			2005	100	60	2
22	Sill/support			1980	110	26	1
23	Sill/support			1804	110	26	1

PACKAGE NR.:

MNFCT. ORDER NR.:

CONTROL 1

CONTROL 2

PAGE/PAGES:

8/8

SIGNATURE

SIGNATURE